

# Passepartout Collection

**ARTESI**GROUP

La nuova collezione Passepartout  
 è un Sistema in grado di arredare ed  
 adattarsi a tutti gli ambienti della casa.  
 Un nuovo modo di pensare  
 gli spazi, in un perfetto equilibrio  
 tra funzionalità e design.

PassepartoutCollection

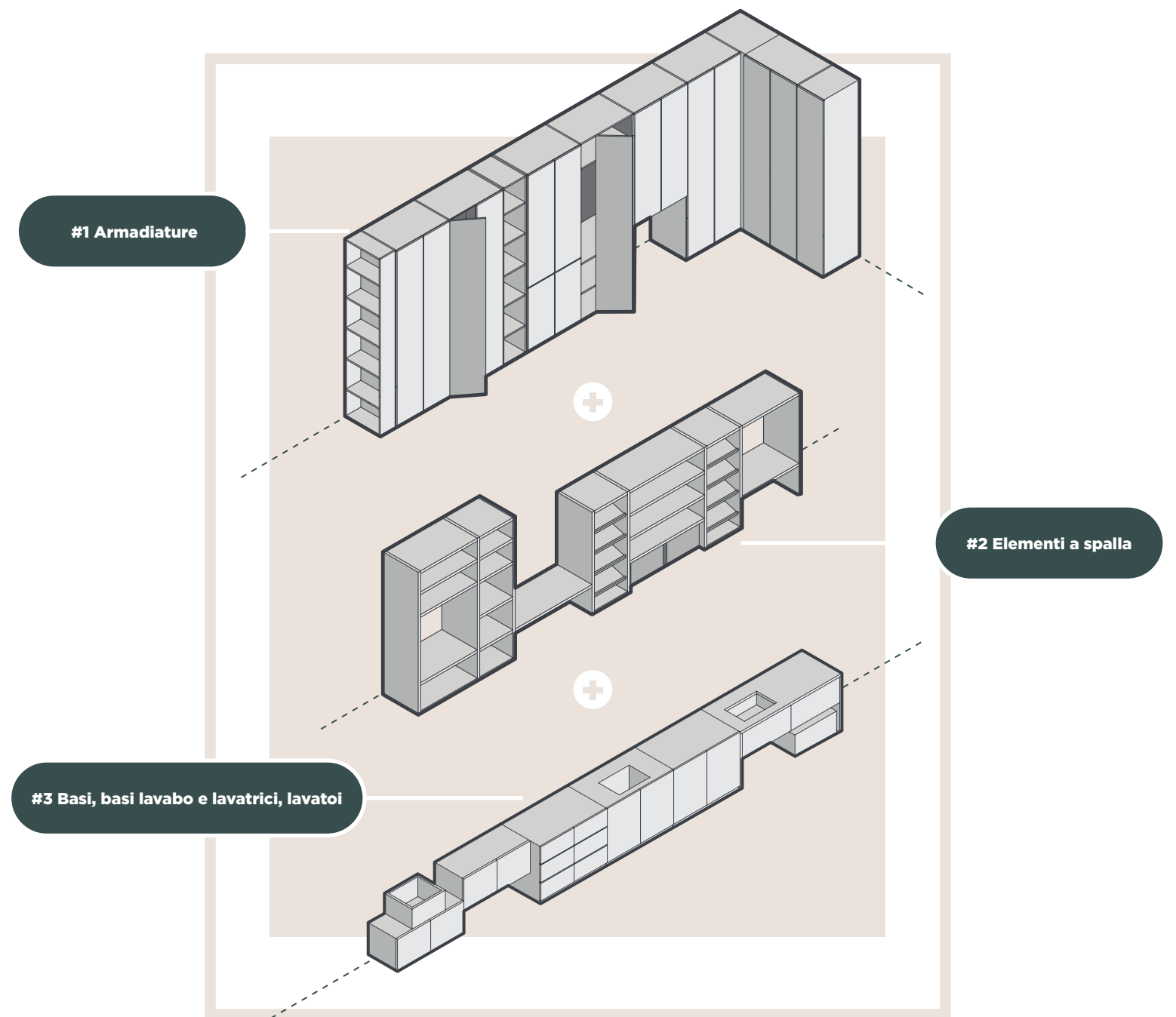
/ The new Passepartout collection is able to furnish all the rooms of the house and to adapt to them.  
 A new way to think about spaces, in a perfect balance among functionality and design.

/ La nouvelle collection Passepartout est un système capable de meubler et de s'adapter à toutes les pièces de la maison.  
 Une nouvelle façon de penser les espaces, dans un équilibre parfait entre fonctionnalité et design.

/ Die neue Passepartout Kollektion ist ein System, das alle Räume des Hauses einzurichtet.  
 Eine neue Art, über Räume nachzudenken, in einer perfekten Balance zwischen Funktionalität und Design.

## Progetta, organizza e personalizza.

/ Design, organize and customize.  
 / Concevoir, organiser et personnaliser.  
 / Gestalten, organisieren und personalisieren.



#1 Armadiature

#2 Elementi a spalla

#3 Basi, basi lavabo e lavatrici, lavatoi

#1 Wardrobes - Armoire - Schränke

#2 Open elements - Modules ouverts - Regale

#3 Standard cabinets, washbasin or washtub cabinets and washing machine cabinets  
 - Meuble bas standard, meubles bas porte-lavabo, porte lave-linge, bacs à laver

- Unterschränke, Waschtischunterschränke, Waschmaschinenunterschränke und Waschtröge

## Indice

/ Index / Sommaire / Inhaltsverzeichnis

**#Classic Rome**\_pg.06

**#Dreaming Mountains**\_pg.24

**#Milan Vibes**\_pg.44

**#Turin Groove**\_pg.66

# Italian Houses

**La collezione Passepartout vista  
attraverso gli spazi di case italiane.**

/ The collection Passepartout seen  
through the spaces of Italian houses.

/ La collection Passepartout vue  
à travers les espaces des maisons italiennes.

/ Die Kollektion Passepartout, gesehen durch die Räume  
italienischer Häuser.



## #Bagno

/ Bathrooms / Salle de bain / Badezimmer



## #Lavanderia

/ Laundries / Buanderie / Waschküche



## #Ingresso

/ Entryways / Entrée / Eingang



## #Corridoio

/ Hallway / Couloir / Flure



## #Camere da letto

/ Bedrooms / Chambres / Schlafzimmer



## #Aree Multifunzione

/ Multipurpose Areas / Zone polyvalent  
/ Multifunktionale Räume

# /Classic



# Rome



- #1 Entryway / Entrée / Eingang
- #2 Laundry / Buanderie / Waschküche
- #3 Wardrobe - Bedrooms / Armoire - Zone nuit / Schränke - Schlafraum
- #4 Bathroom - Utility room / Salle de bain - Placard / Badezimmer - Abstellraum



Armadiatura: Noce Bohème - Roccia Opaco - Specchiera Tangram - Maniglie Stilo Nichel  
Elementi a giorno: Noce Bohème

/ Wardrobe: Noce Bohème - Roccia Matt - Mirror Tangram - Handle Stilo Nichel  
Open element: Noce Bohème

/ Armoires: Noce Bohème - Roccia Mat - Miroir Tangram - Poignées Stilo Nichel  
Modules ouverts: Noce Bohème

/ Schränke: Noce Bohème - Roccia Matt - Spiegel Tangram - Griff Stilo Nickel  
Regale: Noce Bohème

## L'ingresso organizzato al meglio

/ The entryway organized at the best / L'entrée organisée au mieux / Der am besten organisierte Eingang



Portabiancheria in metallo  
Piombo, con ruote  
/ Metal laundry basket in metal  
Piombo, with wheels

Vassoio portascarpe  
in metallo Piombo  
/ Shoes tray in metal Piombo

Panchetta in finitura Noce Bohème

/ Bench in finish Noce Bohème / Banquette en finition Noce Bohème / Sitzbank in Ausführung Noce Bohème



Elemento a giorno con appendiabiti Piombo  
/ Open element with Piombo coat hanger

Armadio a due ante  
con vano portascoppe  
/ Two door wardrobe  
with brooms compartment



# #02

## Lavanderia

/ Laundry / Buanderie / Waschküche



Armadiatura e mobile: Roccia Opaco - Gola Nickel - Elemento a giorno: Noce Bohème  
Top Mod. Ocean in Ocritech Bianco Opaco con vasca cod. H11

/ Wardrobe and cabinets: Roccia matt - Handle Gola Nickel - Open element: Noce Bohème  
Vanity top with integrated basin Ocean in White Ocritech, code H11

/ Armoires et meuble bas: Roccia Mat - Poignée Gola Nickel - Module ouvert: Noce Bohème  
Plan Mod. Ocean en Ocritech Bianco Mat avec vasque code H11

/ Schränke und Unterschränke: Roccia Matt - Griff Gola Nickel - Regal: Noce Bohème  
Waschtisch Ocean aus Ocritech, Weiß Matt mit Becken Art. H11

## Tutti gli accessori di cui hai bisogno

/ All the accessories you need / Tous les accessoires dont vous avez besoin / Alle Zubehörteile, die Sie benötigen



**Elementi a giorno: finitura Noce Bohème - Accessoristica Piombo**  
/ Open element: Noce Bohème finish - Accessories: Piombo finish  
/ Modules ouverts : finition Noce Bohème - Accessoires Piombo  
/ Regale: Ausführung Noce Bohème - Zubehörteile Piombo



**Elemento a giorno**  
/ Open element

**Vassoi portascarpe in metallo Piombo**  
/ Shoe rack tray in Piombo metal

**Armadio portalavatrice e asciugatrice**  
/ Washing machine and dryer wardrobe

## Armadio zona notte

/ Wardrobe - Bedroom / Armoire - Zone nuit / Schränke - Schlafraum

# #03



Elemento terminale a giorno  
/ Open terminal element

Armadiatura: Camoscio - Gola Nickel  
/ Camoscio wardrobe - Handle Gola Nickel

/ Armoires: Camoscio - Poignée Gola Nickel  
/ Schränke: Camoscio - Griff Gola Nickel



**Armadio portlavabo senza schiena con apertura a 165°**  
 / Wardrobe with vanity cabinet inside, without back back, with hinges opening at 165°

**Specchiera mod. Condor Bianca**  
 / White mirror mod. Condor

## Il bagno nascosto

/ The hidden bathroom / La salle de bain cachée / Das versteckte Badezimmer



**Top mod. Tempo**  
 / Vanity top model Tempo

**Portasalviette Industrial Nichel**  
 / Nickel towel holder mod.Industrial

**Base portlavabo a giorno con frontale fisso, finitura Noce Bohème**  
 / Washbasin cabinet with fixed front and open compartment, Noce Bohème finish  
 / Meuble bas porte lavabo avec niche ouverte et façade fixe, finition Noce Bohème  
 / 1 fixe Front, 1 geofnettes Fach Waschtischunterschrank, Ausführung Noce Bohème

# #04

## Bagno - Ripostiglio

/ Bathroom - Utility room / Salle de bain - Placard / Badezimmer - Abstellraum



Armadiatura e composizione bagno: Quarzo Opaco - Maniglia Tyre Acciaio Spazzolato  
/ Wardrobe and bathroom composition; Matt Quarzo - Handle Tyre in brushed stainless steel  
/ Armoires et meubles bas : Quarzo Mat - Poignée Tyre en acier brossé  
/ Schränke und Waschtischunterschränke: Quarzo Matt - Griff Tyre, Gebürsteter Stahl

## Un bagno a 360°

/ A 360° bathroom / Une salle de bain à 360° / Ein 360° Badezimmer





## Total Bathroom Artesi Group



Box doccia mod. Fashion di Agha Nichel Spazzolato - Piatto doccia mod. Concrete Cemento di Agha  
/ Shower enclosure mod. Fashion by Agha in brushed nickel - Shower tray mod. Concrete, by Agha finish Cemento  
/ Paroi de douche mod. Fashion by Agha Nichel brossé - Receveur de douche mod. Concrete Cemento by Agha  
/ Dusch Kabine Fashion by Agha - Ausf. Gebürstetes Nickel - Duschwanne Concrete, by Agha Ausf. Cemento

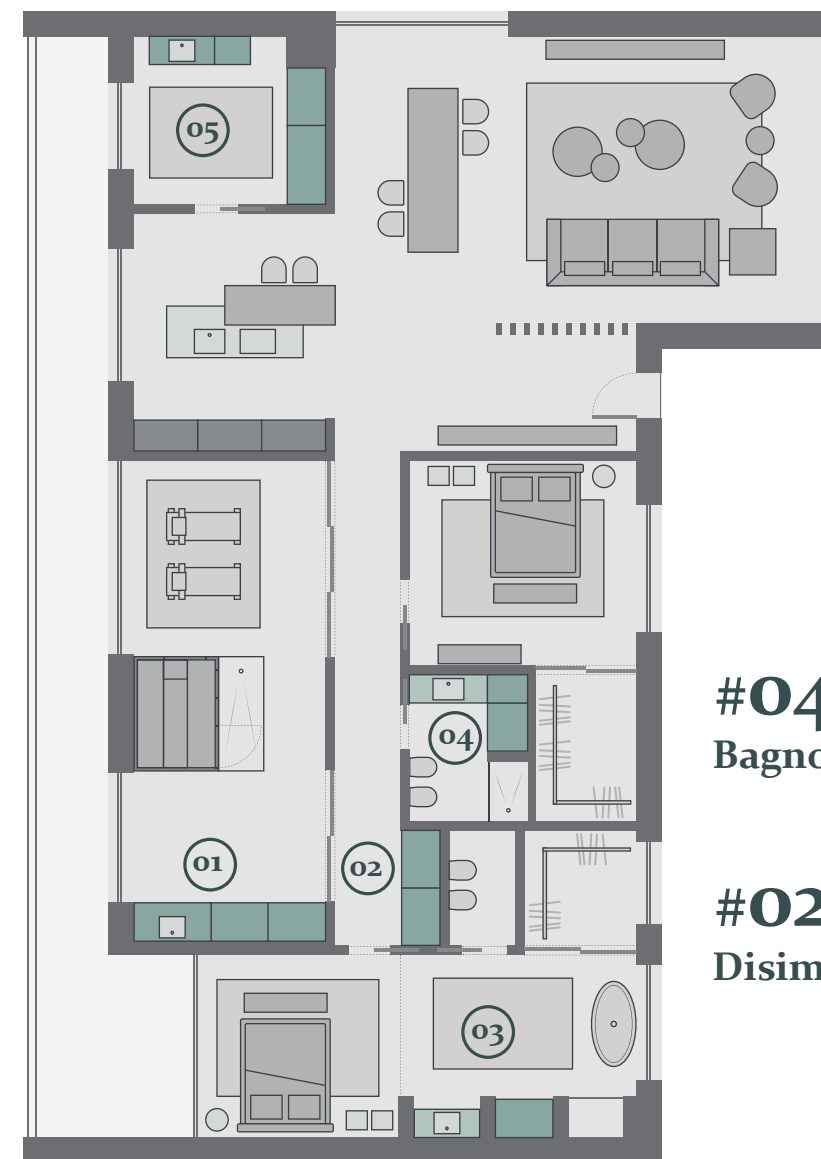
# /Dreaming



# Mountains

**#05**  
Lavanderia

**#01**  
Zona relax



**#04**  
Bagno di servizio

**#02**  
Disimpegno

**#03**  
Camera da letto

- #1 Relax area / Zone détente / Relax-Zone
- #2 Utility room / Couloir / Durchgangsraum
- #3 Bedroom / Chambre / Schlafzimmer
- #4 Small bathroom / Demi-bain / Gästebad
- #5 Laundry / Buanderie / Waschküche

# #01

**Zona relax**

/ Relax zone / Zone détente / Relax-Zone



Armadiature ed elementi a giorno in finitura Ardesia - Sauna mod. Zenith di Agha in legno di pero  
/ Wardrobes and open elements in Ardesia finish- Sauna mod. Zenith by Agha in pear wood

/ Armoires et modules ouverts en finition Ardesia - Sauna mod. Zenith by Agha en bois de poire  
/ Schränke und Regale in Ausführung Ardesia - Sauna Zenith by Agha aus Birnenholz

## Organizza le tue passioni

/ Organize your own passions / Organisez vos passions / Organisieren Sie Ihre Hobbys



Portabiancheria in metallo  
Piombo, con ruote  
/ Laundry basket in metal  
Piombo, with wheels

Armadio portalavabo senza schiena  
con apertura a 165° Lavabo mod. Sirio  
Specchiera mod. Condor Bianca  
/ Wardrobe with vanity cabinet inside,  
without back, with hinges opening at 165°  
Washbasin mod. Sirio  
White mirror mod. Condor



Elementi a giorno in finitura Ardesia con accessori in metallo Piombo  
/ Open elements in Ardesia finish with accessories in metal Piombo  
/ Modules ouverts en finition Ardesia avec accessoires en métal Piombo  
/ Regale in Ausführung Ardesia mit Zubehör aus Metall Piombo



**Colonna con tubi appendiabiti Piombo**  
 / Wardrobe with coat rack in Piombo finish

**Armadio portalavatrice con elemento portascoppe**  
 / Wardrobe for washing machine, with brooms compartment

# #02

## Disimpegno

/ Utility room / Couloir / Durchgangsraum



**Armadio finitura Ardesia con gola Nickel**  
 / Wardrobe in Ardesia finish with handle gola Nickel  
 / Armoire finition Ardesia avec poignée gola Nickel  
 / Schränke Ausführung Ardesia mit Griff Gola Nickel

# #03

Camera da letto  
/ Bedroom / Chambre / Schlafzimmer



Armadi e portlavabo in finitura Rovere White  
/ Wardrobes and washbasin cabinet in Rovere White finish

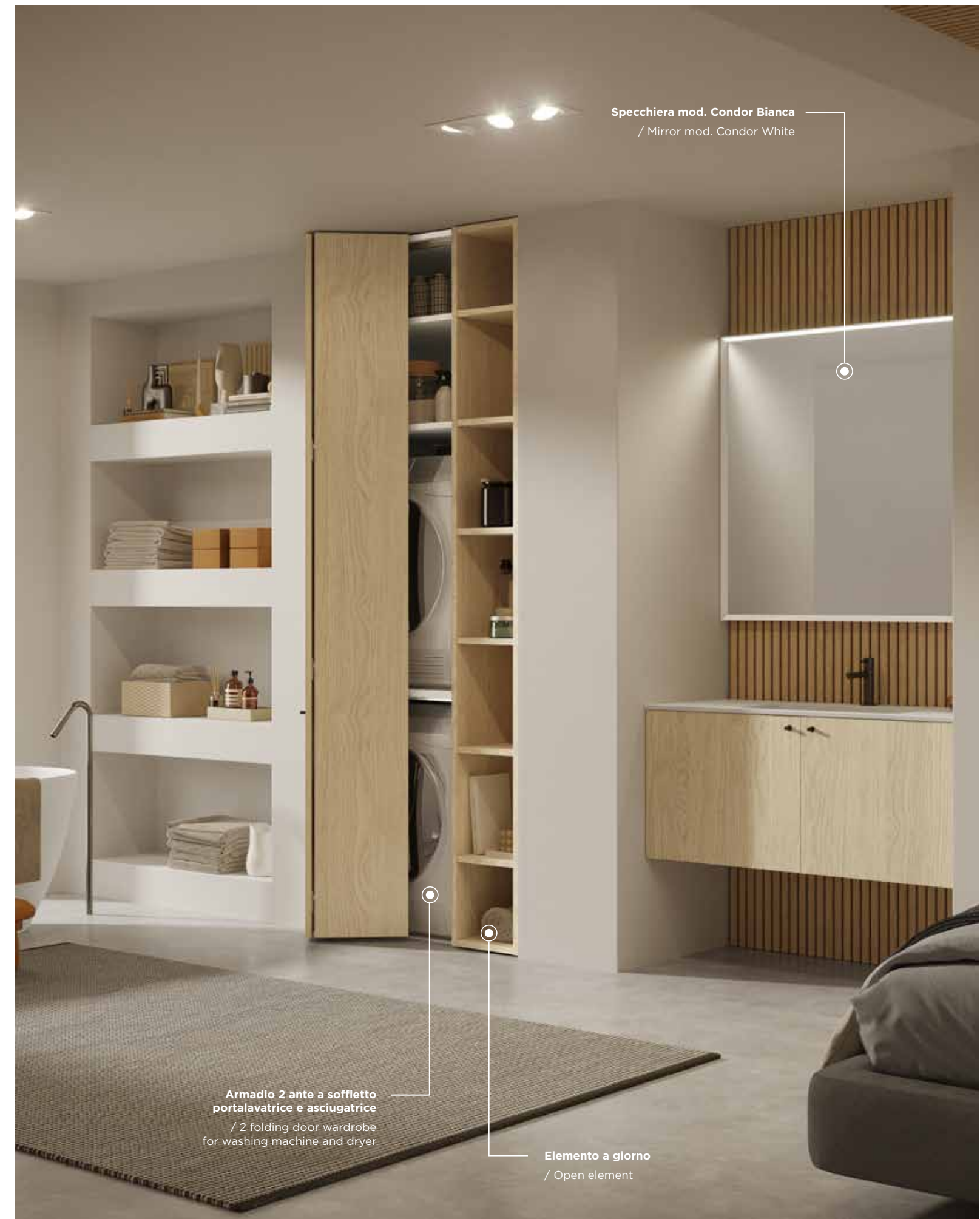
/ Armoire et meuble bas porte lavabo en finition Rovere White  
/ Schränke und Waschtischunterschänke in Ausführung Rovere White

## La tua camera da letto all inclusive

/ Your all inclusive bedroom / Votre chambre tout compris / Ihr All-Inclusive-Zimmer



**Top mod. Tempo**  
/ Vanity top mod. Tempo  
/ Plan vasque mod. Tempo  
/ Waschtisch Tempo



**Specchiera mod. Condor Bianca**  
/ Mirror mod. Condor White

**Armadio 2 ante a soffietto  
portalavatrice e asciugatrice**  
/ 2 folding door wardrobe  
for washing machine and dryer

**Elemento a giorno**  
/ Open element

# #04

## Bagno di servizio

/ Small bath / Demi-bain / Gästebad



Armadiatura: Grigio Cemento Opaco - Maniglie Stilo Nero  
Basi: Antracite Opaco - Lavabo mod. Book - Maniglie Stilo Nero

/ Wardrobe: Grigio Cemento Matt - Handle Stilo black  
Cabinets: Antracite Matt - Washbasin mod. Book - Handle Stilo black

/ Armoires: Grigio Cemento Mat - Poignées Stilo Nero  
Meubles bas: Antracite Mat - Bac à laver mod. Book - Poignées Stilo Nero

/ Schränke: Grigio Cemento Matt - Griff Stilo Schwarz  
Unterschänke: Antracite Matt - Waschtrog Book - Griff Stilo Schwarz





Specchiera retroilluminata mod. Disk  
/ Mirror mod. Disk with backlight

Armadio ad angolo 2 ante  
/ 2 door corner wardrobe

Box doccia mod. Separé di Agha Piombo  
Piatto doccia mod. Stone Bianco di Agha  
/ Shower box mod. Separé by Agha, finish Piombo,  
Shower tray mod. Stone by Agha, finish White

## Lavabo Book

/ Washbasin Book / Bac à laver Book / Waschtrog Book



Lavabo Book in Solid Surface Bianco Opaco con tavoletta lavapanni  
/ Washbasin Book in white matt Solid surface with washboard  
/ Bac à laver Book en Solid Surface Bianco Mat avec planche  
/ Waschtrog Book aus Solid Surface, Weiß Matt, mit Waschbrett

## Lavanderia

/ Laundry / Buanderie / Waschküche

# #05

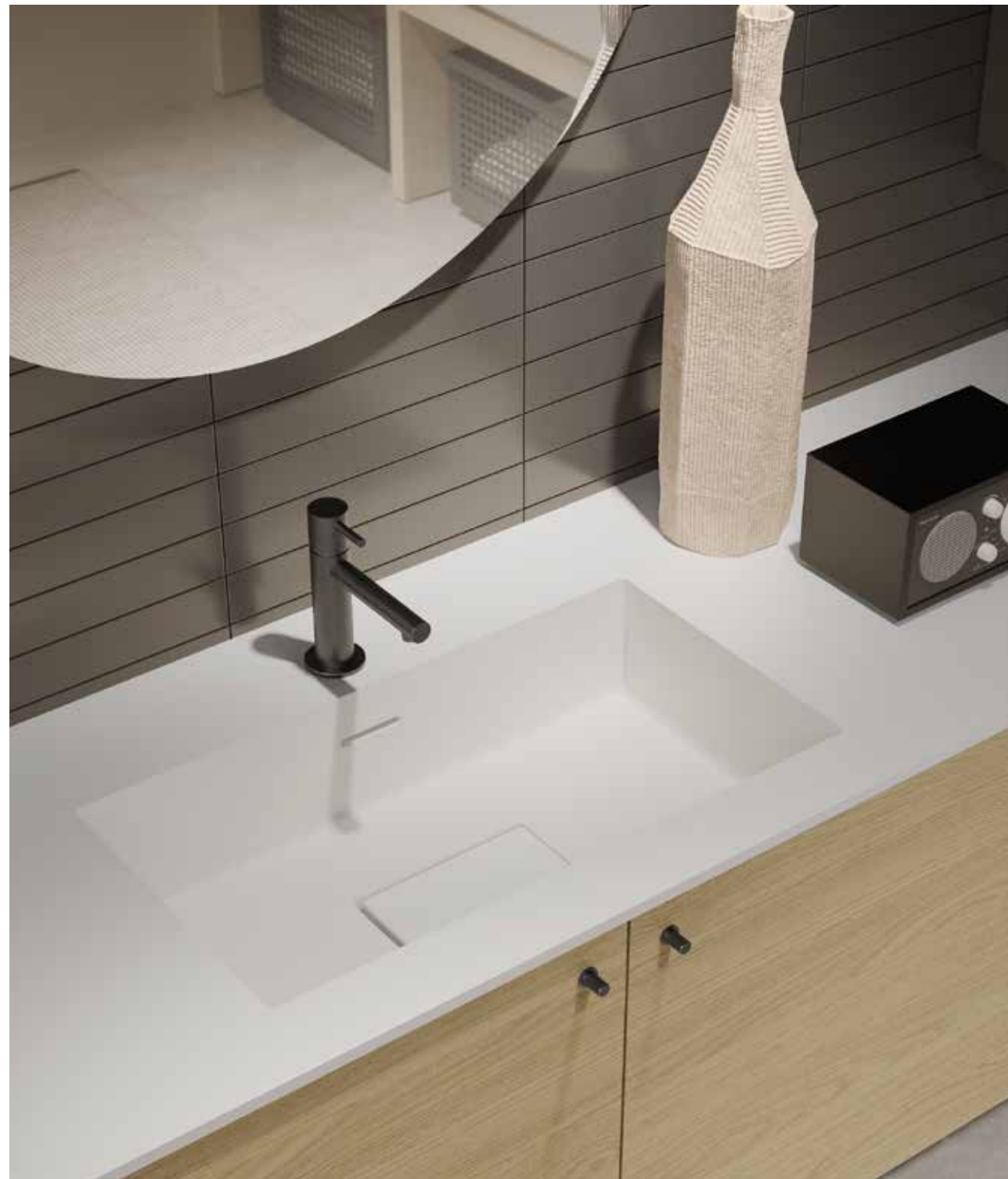


Elementi a giorno e basi: finitura Rovere White - Armadiatura in finitura Antracite  
/ Open elements and vanity cabinets: Rovere White finish - Wardrobes in Antracite finish

/ Modules ouverts et meubles bas: finition Rovere White - Armoires en finition Antracite  
/ Regale und Unterschränke: Ausführung Rovere White - Schränke in Ausführung Antracite

# Lavabo Artic

/ Artic washbasin / Bac à laver Artic / Waschtisch Artic



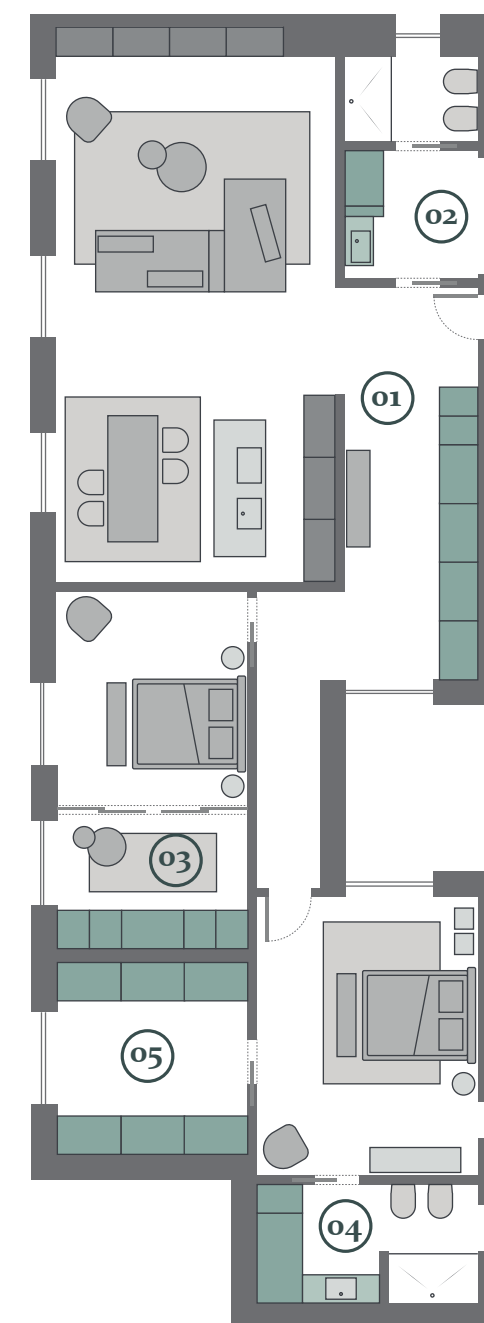
**Top mod. Artic in Solid Surface Bianco Opaco, con vasca cod. H41**  
/ Vanity top with integrated basin mod. Artic in white Solid surface, code H41  
/ Plan mod. Artic en Solid Surface Bianco Mat, avec vasque code H41  
/ Waschtisch Artic aus Solid Surface, Weiß Matt, mit Becken Art. H41



# /Milan



# Vibes



**#02**  
Bagno - Lavanderia

**#01**  
Disimpegno

**#03**  
Camera da  
letto

**#05**  
Lavanderia  
+ Armadio

**#04**  
Bagno - Ripostiglio

#1 Hallway / Couloir / Durchgangsraum

#2 Bathroom - Laundry / Salle de bain - Buanderie / Badezimmer - Waschküche

#3 Bedroom / Chambre / Schlafzimmer

#4 Bathroom - Utility room / Salle de bain - Placard / Badezimmer - Abstellraum

#5 Laundry + Wardrobe / Buanderie + Armoire / Waschküche - Schrank

Tutto è perfettamente  
nascosto

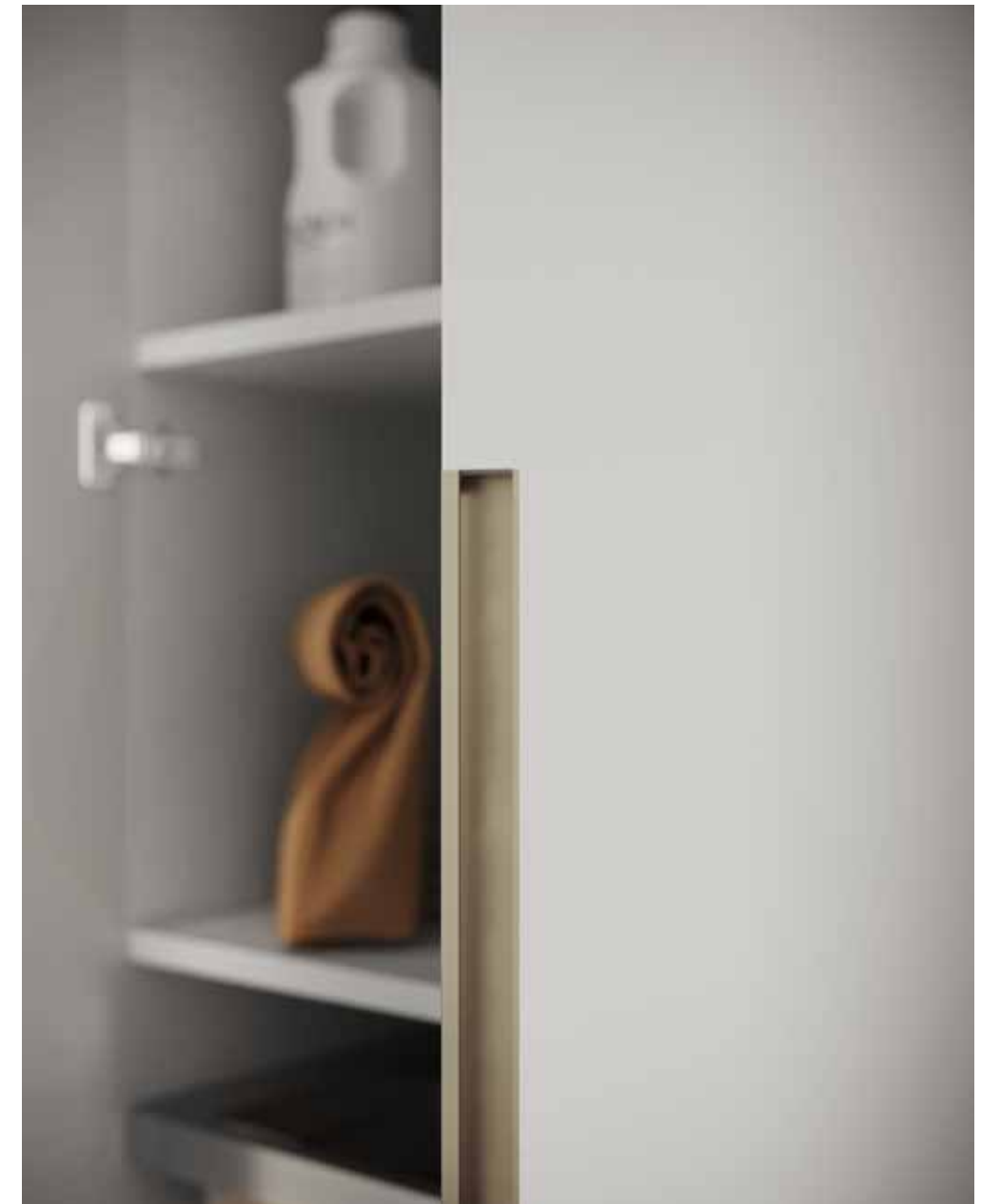
/ All perfectly hidden  
/ Tout est parfaitement caché  
/ Alles ist perfekt versteckt



# #01

## Disimpegno

/ Hallway / Couloir / Durchgangraum



**Fiocco - Gola Nichel**  
/ Fiocco finish- Handle Gola Nichel  
/ Fiocco - Poignée Gola Nichel  
/ Fiocco - Griff Gola Nichel



## Diamo nuove funzioni ai tuoi passaggi

/ We give new functions to your passages / Nous donnons de nouvelles fonctions à vos pièces / Wir geben Ihren Räumen neue Funktionen

# #02

## Bagno / Lavanderia

/ Bathroom - Laundry / Salle de bain - Buanderie / Badezimmer - Waschküche



Armadio e base: Finitura Biscotto - maniglia a Gola Nickel  
Elemento a giorno: Finitura Rovere Chiostro

/ Wardrobe and cabinets: Biscotto Finish- Gola Nickel handle.  
Open element: Rovere Chiostro Finish

/ Armoire et meuble bas: Finition Biscotto - Poignée Gola Nickel  
Module ouvert: Finition Rovere Chiostro

/ Schränke und Waschtischunterschrank: Ausführung Biscotto - Griff Gola Nickel  
Regal : Ausführung Rovere Chiostro



# Consolle in ceramica Keope

/ Ceramic vanity top Keope / Plan vasque en céramique Keope / Waschtisch Keope aus Keramik



Elemento a giorno con cambio di profondità  
/ Open element with depth change

Colonna portlavatrice  
/ Wardrobe for washing machine

## Camera da letto

/ Bedroom / Chambre / Schlafzimmer

# #03



Armadi: finitura Biscotto - Gola Nickel - Elementi a giorno: finitura Noce Bohème  
/ Wardrobes: Biscotto finish - Handle Nickel Gola - Open element: Noce Bohème finish

/ Armoire: finition Biscotto - Poignée Gola Nickel - Modules ouverts: finition Noce Bohème  
/ Schränke: Ausführung Biscotto - Griff Gola Nickel - Regale: Ausführung Noce Bohème

Tubi appendiabiti in metallo Piombo  
/ Coat hanger in Piombo metal



Vassoi portascarpe in finitura Piombo  
/ Shoes rack tray in Piombo finish

## La soluzione perfetta per organizzare i tuoi abiti

/ The perfect solution to organize your clothes / La solution parfaite pour organiser vos vêtements / Die perfekte Lösung für die Organisation Ihrer Kleidung



Armadiatura: Biscotto - Gola Nickel - Elementi a giorno: Noce Bohème  
/ Wardrobes: Biscotto - Handle Nickel Gola - Open elements: Noce Bohème  
/ Armoires: Biscotto - Poignée Gola Nickel - Modules ouverts: Noce Bohème  
/ Schränke: Biscotto - Griff Gola Nickel - Regale: Noce Bohème

# #04

## Bagno - Ripostiglio

/ Bathroom - Utility room / Salle de bain - Placard / Badezimmer - Abstellraum

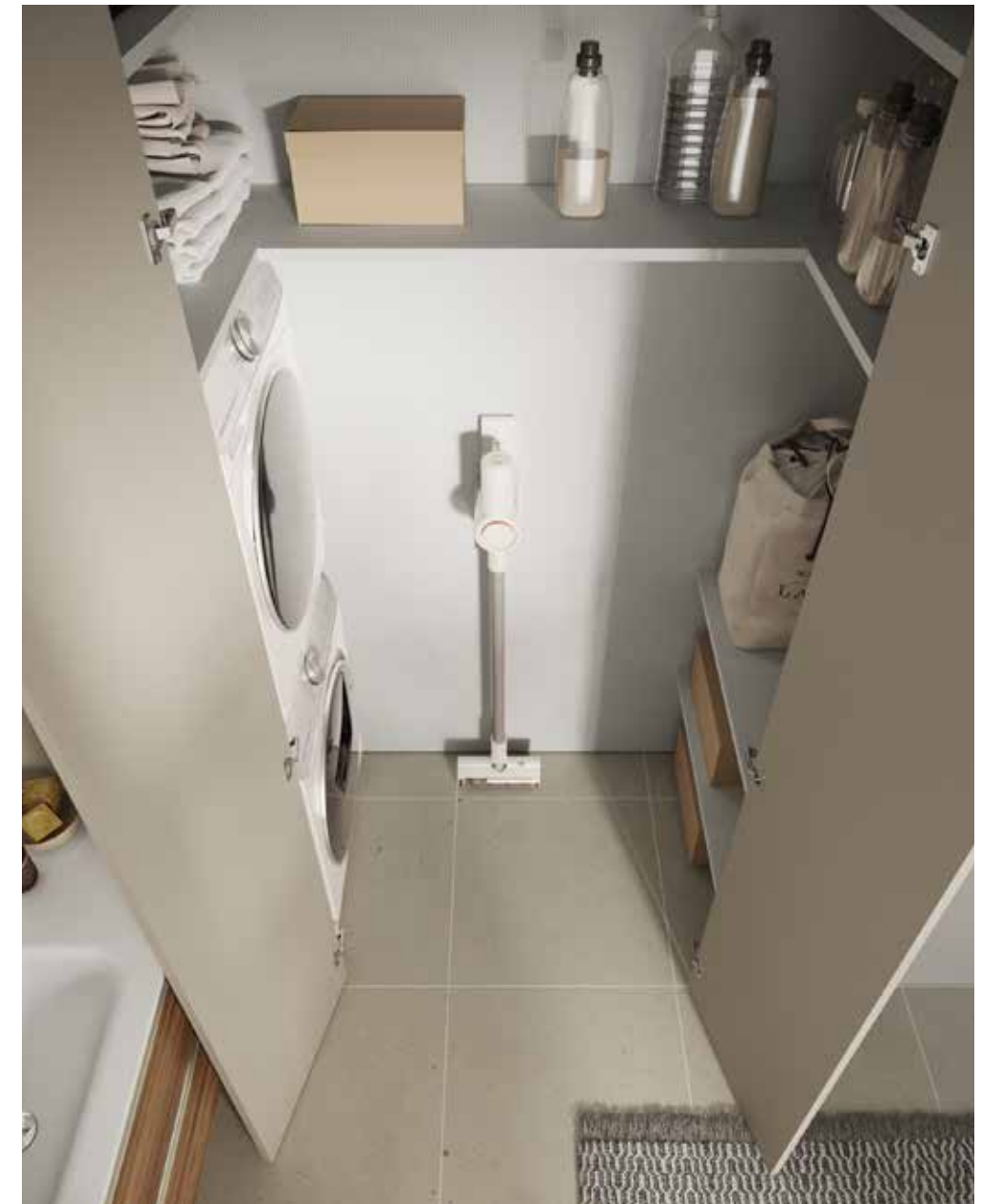


**Mobile:** Noce Bohème - Gola Nickel - Top Opus - Specchiera Condor Bianca  
**Armadiatura:** Biscotto - Maniglia Stilo Nickel - Box doccia Mod. Selfie di Agha finitura Nickel  
/ Vanity cabinet : Noce Bohème - Handle Gola Nickel- Vanity Top Opus - White Mirror Condor  
Wardrobe: Biscotto finish- Handle Stilo Nickel - Shower enclosure Mod. Selfie by Agha in Nickel finish  
/ Meuble bas: Noce Bohème - Poignée Gola Nickel - Plan vaque Opus - Miroir Condor, Blanc  
Armoires: Biscotto - Poignée Stilo Nickel - Paroi de douche Mod. Selfie by Agha finition Nickel  
/ Unterschrank: Noce Bohème - Griff Gola Nickel - Waschtisch Opus - Spiegel Condor, Weiß  
Schränke: Biscotto - Griff Stilo Nickel - Dusch Kabine Selfie By Agha, Ausführung Nickel



## Piccoli spazi organizzati al centimetro

/ Small spaces organized to the centimeter / Des petits espaces organisés au centimètre / Auf den Zentimeter genau organisierte kleine Räume



**Armadio a doppio angolo port lavatrice e asciugatrice finitura Biscotto**  
/ Double corner wardrobe for washing machine and dryer in Biscotto finish  
/ Armoire double angle porte machine à laver et sèche-linge en finition Biscotto  
/ Doppeleckschrank für Wasch- und Trocknermaschine, Ausführung Biscotto



**Ripiani interni**  
/ Inner shelves

## A giorno o con ante? Scegli la tua soluzione perfetta

/ Open space or with doors? Choose your perfect composition  
/ Ouvert ou avec les portes ? Choisissez votre solution parfaite  
/ Regale oder Schrank mit Türen? Wählen Sie Ihre perfekte Lösung



# #05

## Lavanderia + Armadio

/ Laundry + wardrobe / Buanderie + Armoire / Waschküche + Schrank



**Armadiatura: Rovere Chiostro - Maniglie Stilo Nickel - Elementi a giorno: Rovere Chiostro**  
/ Wardrobe: Rovere Chiostro finish - Stilo Nickel Handle - Open element : Rovere chiostro finish  
/ Armoires : Rovere Chiostro - Poignées Stilo Nickel - Modules ouverts : Rovere Chiostro  
/ Schränke: Rovere Chiostro - Griff Stilo Nickel - Regale: Rovere Chiostro



**Cassetto interno in finitura Nero**  
 / Inner drawer in Black finish

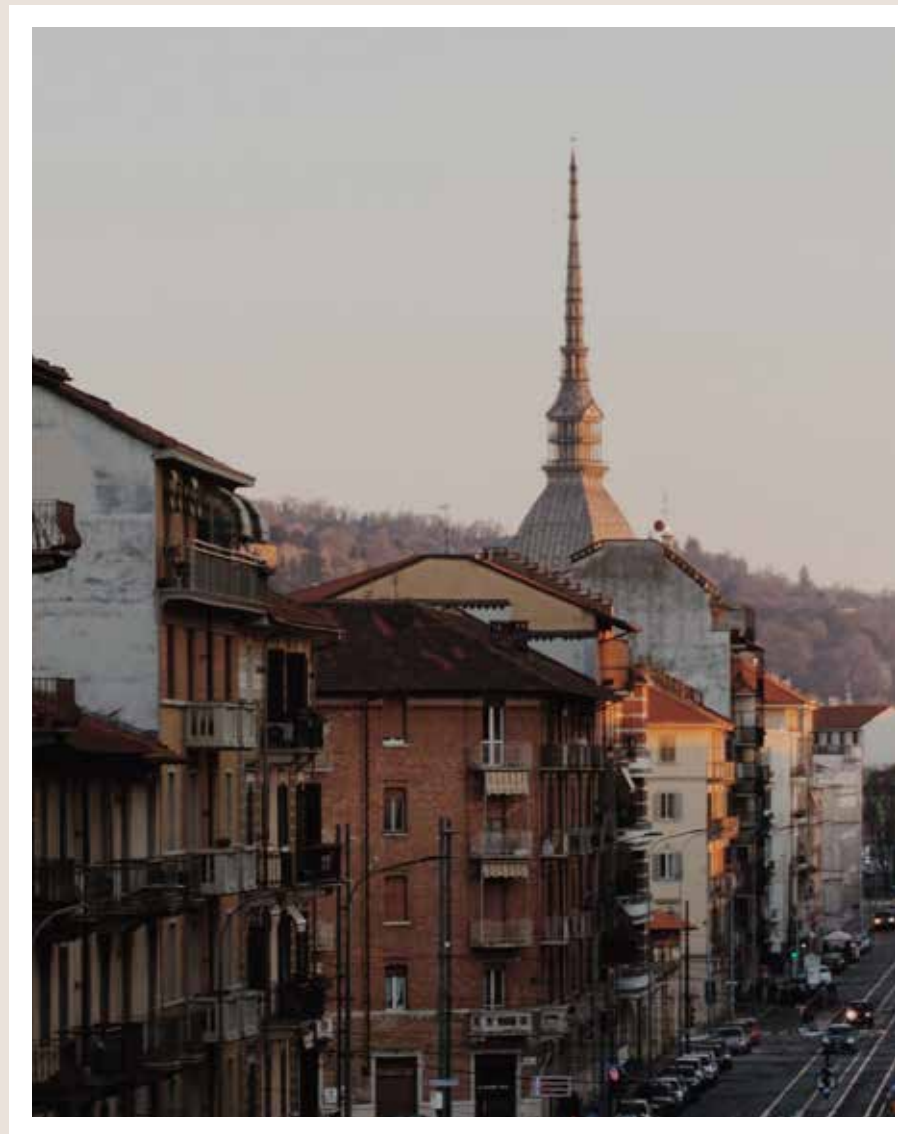
## 100% Funzionale

/ 100% functioning / Fonctionnel au 100% / 100% funktionsfähig



**Cesto portabiancheria estraibile in tessuto con telaio Piombo**  
 / Extractable tissue laundry basket with Piombo frame  
 / Panier à linge, extractible en tissu, avec cadre en métal Piombo  
 / Ausziehbarer Wäschekorb aus Stoff mit Rahmen in Piombo

# /Turin



# Groove

**#01**  
Bagno



**#03**  
Bagno /  
Lavanderia



**#04**  
Area  
lavoro

**#02**  
Lavanderia

#1 Bathroom / Salle de bain / Badezimmer

#2 Laundry / Buanderie / Waschküche

#3 Bathroom - Laundry / Salle de bain - Buanderie / Badezimmer - Waschküche

#4 Working area / Zone de travail / Arbeitsräume



Armadiatura: Ghiaccio Opaco - Gola Nickel - Elementi a giorno: Fiocco  
Base: Ghiaccio Opaco - Gola Nickel - Lavabo Artic - Specchiera Condor Bianca  
/ Wardrobes: Ghiaccio matt finish- Handle Gola Nickel - Open element : Fiocco  
Vanity cabinet: Ghiaccio matt finish - Handle Gola Nickel- Washbasin Artic- White Condor Hotel

/ Armoires: Ghiaccio Mat - Poignée Gola Nickel - Modules ouverts: Fiocco  
Meuble bas: Ghiaccio Mat - Poignée Gola Nickel - Bac à laver Artic - Miroir Condor, Blanc  
/ Schränke: Ghiaccio Matt - Griff Gola Nickel - Regale: Fiocco  
Unterschrank : Ghiaccio Matt - Griff Gola Nickel - Waschtrog Artic - Spiegel Condor, Weiß



## Top Artic con alzata integrata

/ Vanity top mod. Artic with integrated splashback / Plan vasque mod. Artic avec panneau mural intégré  
/ Waschtisch Artic mit integrierter Rückwand



**Top mod. Artic in Solid Surface completo di tavoletta - Accessori riposizionabili in metallo Bianco**  
/ Vanity top mod. Artic in Solid Surface complete with washing board - Movable accessories in White metal  
/ Plan vasque mod. Artic en Solid Surface avec planche - Accessoires déplaçables en métal Bianco  
/ Waschtisch Artic aus Solid Surface mit Waschbrett - Zubehöre aus Metall Weiß

## Asse da stiro estraibile

/ Extractable iron board / Planche à repasser extractible / Ausziehbares Bügelbrett



Colonna portlavatrice  
con vano portascopie  
/ Wardrobe for washing machine with  
brooms compartment

Elemento a giorno con cambio di profondità  
/ Open element with depth change

# Lavanderia

/ Laundry / Buanderie / Waschküche

# #02



Armadiatura: Fiocco - Gola Nickel  
Mobile: Fiocco - Gola Nickel - Specchiera contenitore mod. Box - top Mod. Ocean  
/ Wardrobe: Fiocco finish - Handle Gola Nickel  
Vanity cabinets: Fiocco finish- Handle Gola Nickel - Mirror cabinet mod. Box - Vanity top mod. Ocean

/ Armoires: Fiocco - Poignée Gola Nickel  
Meuble bas: Fiocco - Poignée Gola Nickel - Miroir Armoire mod. Box - Plan vasque Mod. Ocean  
/ Schränke: Fiocco - Griff Gola Nickel  
Unterschrank: Fiocco - Griff Gola Nickel - Spiegelschrank Box - Waschtisch Ocean

Elemento a giorno con appendiabiti Bianco  
/ Open element with white coat hanger



Cesto portabiancheria  
in metallo Bianco con ruote  
/ Laundry basket  
in White metal with wheels

## Top Ocean

/ Vanity top Ocean / Plan vasque Ocean / Waschtisch Ocean



Top mod. Ocean in Ocritch Bianco Opaco con vasca cod. H22  
/ Vanity top mod. Ocean in White Matt Ocritch with washbasin code H22  
/ Plan vasque mod. Ocean en Ocritch Bianco Mat avec vasque code H22  
/ Waschtisch Ocean aus Ocritch, Weiß Matt, mit Becken Art. H22

# #03

## Bagno - Lavanderia

/ Bathroom - Laundry / Salle de bain - Buanderie / Badezimmer - Waschküche



Armadiatura: Blu Notte Opaco - Maniglie Tyre Acciaio Spazzolato  
Mobile: Blu Notte Opaco - maniglia Tyre in Acciaio Spazzolato - Top in ceramica mod. Quiz  
/ Wardrobe: Blu notte matt finish - Handle Tyre in brushed steel  
Vanity cabinet: Blu notte matt finish - Handle Tyre in brushed steel - ceramic vanity top mod. Quiz  
/ Armoires: Blu Notte Mat - Poignées Tyre en acier brossé  
Meuble bas: Blu Notte Mat - Poignée Tyre en acier brossé - Plan en céramique mod. Quiz  
/ Schränke: Blu Notte Matt - Griff Tyre, Gebürsteter Stahl  
Unterschrank: Blu Notte Matt - Griff Tyre, Gebürsteter Stahl - Waschtisch aus Keramik. Quiz



Specchio contenitore  
a basculante mod. Visit  
/ Top hung door mirror  
cabinet mod. Visit

Armadio ad angolo completo di ripiani  
/ Corner wardrobe complete with shelves

## Area lavoro

/ Working area / Zone de travail / Arbeitsräume

# #04



Cassetti interni  
in metallo Nero  
/ Inner drawers  
in black metal

Armadio portalavatrice  
con ante a soffietto  
/ Wardrobe for washing machine  
with folding doors

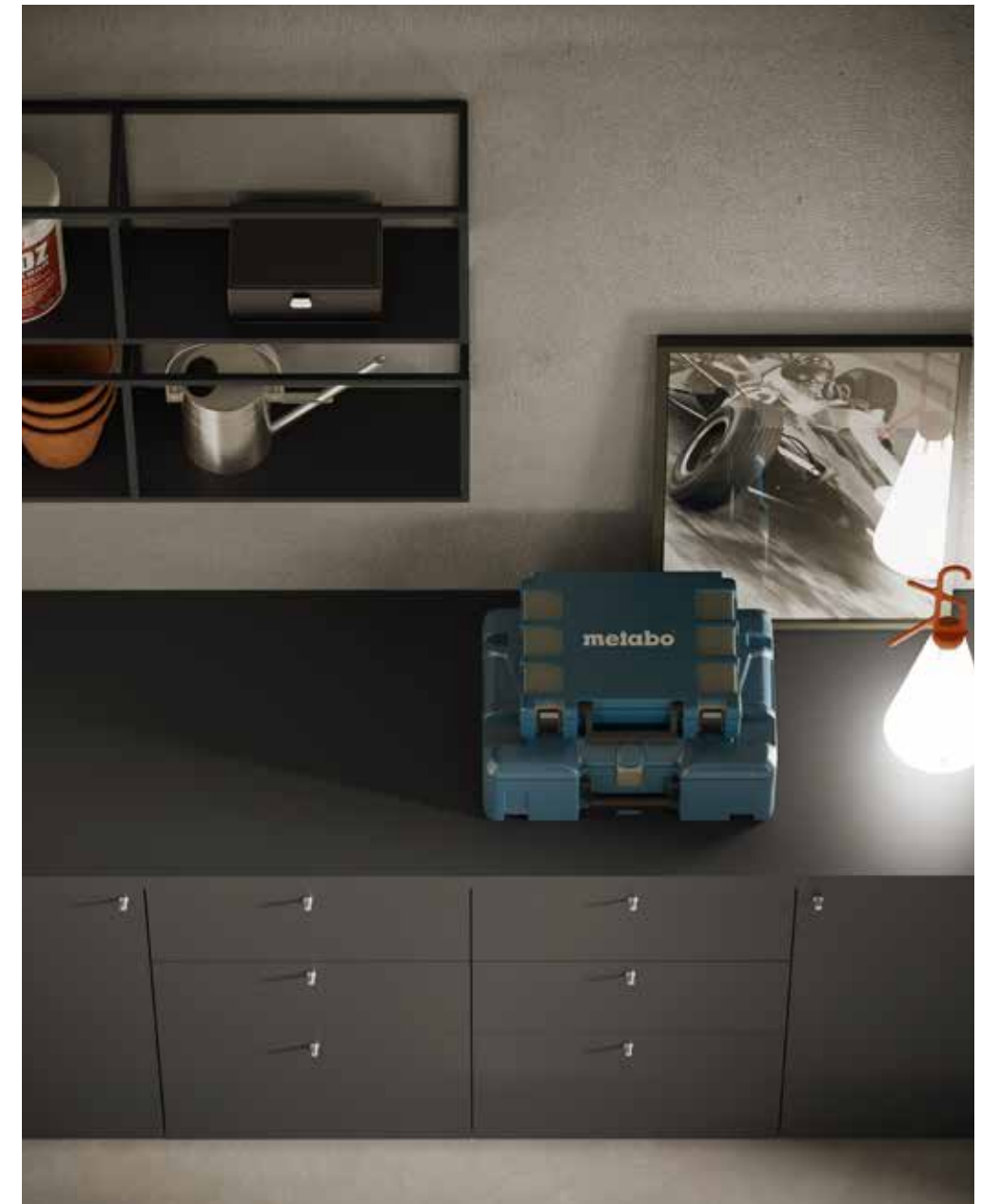
Armadi e mobile: Ardesia - Maniglia Tyre Nero  
/ Wardrobes and furniture - Handle Tyre il brushed steel

/ Armoire e meuble bas: Ardesia - Poignée Tyre en acier brossé  
/ Schränke und Unterschrank: Ardesia - Griff Tyre, Gebürsteter Stahl



## Un luogo di lavoro ad hoc

/ A perfect working place / Un lieu du travail ad hoc / Ein perfekter Arbeitsplatz



**Ardesia - Maniglie Tyre Acciaio Spazzolato**  
/ Ardesia finish - Handle Tyre, Brushed Steel  
/ Ardesia - Poignée Tyre en Acier Brossé  
/ Ardesia - Griff Tyre Gebürsteter Stahl

# Infinite Solutions

**Trova la soluzione perfetta  
per la tua lavanderia.**

/ Find the perfect solution for your laundry.  
/ Trouvez la solution parfaite pour votre buanderie.  
/ Finden Sie die perfekte Lösung für Ihre Wäschküche



Basi: Camoscio - Gola Nichel - specchiera mod. Jazz - top mod. Mistral Creta  
 Elementi a giorno: Camoscio e Biscotto

/ Vanity cabinets: Camoscio finish - Handle Gola Nickel- Mirror mod. Jazz - Vanity top mod. Mistral , Creta finish  
 Open elements: Camoscio and Biscotto finish

/ Meubles bas: Camoscio - Poignée Gola Nickel - Miroir mod. Jazz - Plan vasque mod. Mistral Creta  
 Modules ouverts: Camoscio et Biscotto

/ Unterschranke: Camoscio - Griff Gola Nickel - Spiegel Jazz - Waschtisch Mistral Creta  
 Regale: Camoscio und Biscotto

## Top Mistral

/ Vanity top Mistral / Plan vasque Mistral / Waschtisch Mistral



**Top mod. Mistral in Mineral Tech con vasca integrata, finitura Creta**  
/ Vanity top Mistral in Mineraltech with integrated basin, Creta finish  
/ Plan vasque mod. Mistral en Mineraltech, finition Creta  
/ Waschtisch Mistral aus Mineraltech mit integriertem Becken, Ausführung Creta



**Base portalavatrice**  
/ Washing machine cabinet

## Una funzione ad ogni angolo

/ Functioning everywhere / Une fonction à chaque recoin / Funktionalität überall im Raum



Armadiatura: Ghiaccio Opaco - Maniglie Tyre Acciaio Spazzolato  
Mobile: Ghiaccio Opaco - Maniglie Tyre Nero - top finitura Fiocco - Lavatoio Mod. Storm - Specchiera Condor Bianca  
Panchetta: Rovere Chioistro e tubo appendiabiti a muro Bianco

/ Wardrobes: Ghiaccio matt finish, Handle Tyre, brushed stainless steel  
vanity cabinets: Ghiaccio matt finish - Handle Tyre, brushed stainless steel - vanity top in Fiocco finish - Basin mod. Storm - White Mirror mod. Condor  
Bench: Rovere Chioistro finish and White wall coat hanger

/ Armoires: Ghiaccio Mat - Poignées Tyre en acier brossé  
Meuble bas: Ghiaccio Mat - Poignées Tyre en acier brossé - Plan finitura Fiocco - Bac à laver Mod. Storm - Miroir Condor, Blanc  
Banquette: Rovere Chioistro et penderie murale en Blanc

/ Schränke: Ghiaccio Matt - Griff Tyre, gebürsteter Stahl  
Unterschrank: Ghiaccio Matt - Griff Tyre, gebürsteter Stahl - Abdeckplatte Ausführung Fiocco - Waschtrog Storm - Spiegel Condor, Weiß  
Sitzbank: Rovere Chioistro - Wand-Kleiderstange, Weiß



Tubo appendiabiti a muro Bianco  
/ White wall coat hanger

Panchetta in finitura Rovere Chiostro  
/ Bench in Rovere Chiostro finish

## Tutto a portata di mano

/ Everything at fingertips / Tout à portée de main / Alles an Ihren Fingerspitzen



**Armadiature con modulo lavatrice e cestoni a giorno**  
/ Wardrobes with open compartment for the washing machine and laundry baskets  
/ Armoires avec niche ouverte pour la machine à laver et panier à linge  
/ Schränke mit offenem Fach für Waschmaschine und Wäschkörbe

## Lavabo Storm con tavoletta lavapanni

/ Washtub mod Storm with washing board / Bac à laver Storm avec planche / Waschtrog Storm mit Waschbrett



Lavatoio mod. Storm in ceramica con tavoletta in Ocritech  
/ Ceramic washtub mod Storm with washing board made of Ocritech  
/ Bac à laver mod. Storm en céramique avec planche en Ocritech  
/ Waschtrog Storm aus Keramik mit Waschbrett aus Ocritech



**Armadiatura: Fiocco - Gola Cromo**  
**Basi: Fiocco - top Fiocco con lavatoio mod. Bolla - Specchiera Jazz - Maniglia Gola Cromo**  
**Box doccia mod. Run di Agha Nichel - Piatto doccia mod. Soft Bianco**  
 / Wardrobes: Fiocco finish - Handle Gola chrome  
 Cabinets: vanity top in Fiocco finish with washtub mod. Bolla - Mirror Jazz - Handle Gola chrome  
 Shower enclosure in Nickel finish mod. Run by Agha - Shower tray mod. Soft, white

/ Armoires: Fiocco - Poignée Gola Chrome  
 Meubles bas: Fiocco - Plan Fiocco avec Bac à laver mod. Bolla - Miroir Jazz - Poignée Gola Chrome  
 Paroi de douche mod. Run by Agha, finition Nickel - Receveur de douche mod. Soft Bianco  
 / Schränke: Fiocco - Griff Gola Cromo  
 Unterschränke: Fiocco - Abdeckplatte Fiocco mit Waschtrog Bolla - Spiegel Jazz - Griff Gola Cromo  
 Dusch Kabine Run by Agha, Ausführung Nickel - Duschwanne Soft Weiß



Pensili con ante a battente  
/ Wall cabinet with hinged door

Modulo lavatrice a giorno  
/ Open compartment for washing machine



## Lavabo Bolla con tavoletta lavapanni

/ Washtub Bolla with washing board / Bac à laver Bolla avec planche / Waschtrog Bolla mit Waschbrett

Lavabo mod. Bolla in Mineral Tech completo di tavoletta  
/ Washtub mod. Bolla in Mineral Tech, with washing board  
/ Bac à laver mod. Bolla en Mineral Tech avec planche  
/ Waschtrog Bolla aus Mineral Tech, mit Waschbrett



**Armadio e basi: Ardesia - maniglie Tyre Acciaio Spazzolato - Specchiera Page Top mod. Artic in Solid Surface completo di tavoletta e vasca cod. H30**

/ Wardrobes and cabinets: Ardesia - Handle Tyre, brushed Stainless Steel - Mirror mod. Page Solid Surface vanity top with integrated washtub mod. Artic code H30, with washboard.

/ Armoire et meubles bas: Ardesia - Poignées Tyre en Acier Brossé - Miroir Page Plan mod. Artic en Solid Surface avec planche et vasque intégrée code H30

/ Schränke und Unterschränke: Ardesia - Griff Tyre Gebürsteter Stahl - Spiegel Page Waschtisch Artic aus Solid Surface mit Waschbrett und Becken Art. H30



**Top Artico con alzata integrata e accessori riposizionabili in metallo**  
/ Artico top with integrated splashback and movable metal accessories



**Base portLavatrice profondità 65cm**  
/ Washing machine cabinet depth 65 cm



Basi: Fiocco - Rovere White - Lavatoio mod. Ice 60 - Specchiera mod. Jazz - Maniglie Line Cromo  
 Elementi a giorno: Rovere White

/ Vanity cabinets : Fiocco- Rovere white- Washtub mod. Ice 60- Mirror mod. Jazz - Handle Line chrome  
 Open elements : Rovere white

/ Meubles bas: Fiocco - Rovere White - Bac à laver mod. Ice 60 - Miroir mod. Jazz - Poignées Line Chrome  
 Modules ouverts: Rovere White

/ Unterschranke: Fiocco - Rovere White - Waschtrog Ice 60 - Spiegel Jazz - Griff Line Cromo  
 Regale: Rovere White



Mensoloni a giorno  
/ Open shelves

Vano orizzontale rialzato  
per lavatrice ed asciugatrice  
/ Raised washing machine and dryer

Cesti portabiancheria  
in metallo Bianco con ruote  
/ White metal laundry baskets, with wheels

## Lavabo Ice 60 con tavoletta lavapanni

/ Washtub mod. Ice with washboard / Bac à laver Ice 60 avec planche / Waschtrog Ice 60 mit Waschbrett



Lavatoio mod. Ice 60 in ceramica con tavoletta in legno  
/ Ceramic washtub mod. Ice with wooden washboard  
/ Bac à laver mod. Ice 60 en céramique avec planche en bois  
/ Waschtrog Ice 60 aus Keramik mit Waschbrett aus Holz



**Basi: Biscotto - Rovere Chiostro - top mod. Artic integrato - maniglie Tyre Nero**  
**Elementi a giorno: Rovere Chiostro - Box doccia mod. Elegance di Agha in finitura Nichel - Piatto mod Blend Bianco**  
 / Cabinets: Biscotto and Rovere Chiostro finish- Vanity top with integrated basin mod. Artic - black handle Tyre  
 Open elements: Rovere Chiostro - Shower enclosure mod. Elegance by Agha in Nickel finish- Shower tray Blend, White

/ Meubles bas: Biscotto - Rovere Chiostro - Plan vasque mod. Artic - Poignées Tyre Nero  
 Modules ouverts: Rovere Chiostro - Paroi de douche mod. Elegance by Agha en finition Nickel - Receveur de douche mod Blend, Blanc  
 / Unterschänke: Biscotto - Rovere Chiostro - Waschtisch Artic - Griff Tyre Schwarz  
 Regale: Rovere Chiostro - Dusch kabine Elegance by Agha in Ausführung Nickel - Duschwanne Blend, Weiß

Elemento a giorno  
bifacciale  
/ Double-sided open element



## Pensili con apertura a basculante

/ Wall cabinets with top-hung opening / Meubles hauts avec ouverture basculante / Hängeschrank mit Klippflügeltür



**Pensili con anta basculante in finitura Rovere Chioistro  
Top mod. Artic con alzata integrata in Solid Surface**

/ Top hung wall cabinets in Rovere Chioistro finish  
Solid Surface vanity top with integrated splashback mod. Artic  
/ Meubles hauts avec ouverture basculante en finition Rovere Chioistro  
Plan vasque mod. Artic avec panneau mural intégré en Solid Surface  
/ Hängeschrank mit Klippflügeltür in Ausführung Rovere Chioistro  
Waschtisch Artic aus Solid Surface, mit integrierter Rückwand



**Panchetta: Rovere White**  
 Lavatoio mod Lake in ceramica completo di tavoletta in legno - Specchiera mod. Disk - Pensili: Fiocco - maniglie Tyre Nero  
 / Bench: Rovere white  
 Ceramic washtub mod. Lake with wooden washboard - Mirror mod. Disk - Wall cabinets: Fiocco - Black handle Tyre  
 / Banquette: Rovere White  
 Bac à laver mod. Lake en céramique avec planche en bois - Miroir mod. Disk - Meubles hauts: Fiocco - Poignées Tyre Nero  
 / Sitzbank: Rovere White  
 Waschtrog mod Lake aus Keramik mit Waschbrett aus Holz - Spiegel Disk - Hängeschrank: Fiocco - Griff Tyre Schwarz

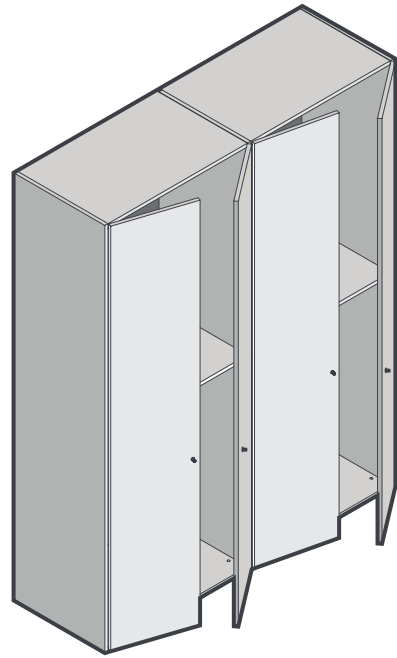
# Modularity

**Componi il tuo bagno con la nuova  
collezione Passepartout**

/ Design your bathroom with the new collection Passepartout  
/ Composez votre salle de bain avec la nouvelle collection Passepartout  
/ Personalisieren Sie Ihr Badezimmer mit der neuen Kollektion Passepartout

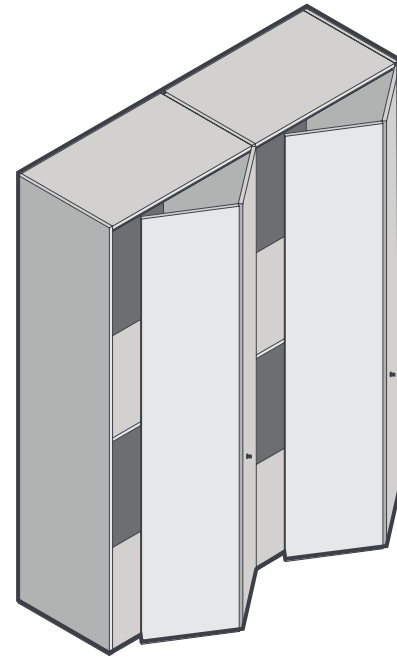
# Armadiatura

/ Wardrobe / Armoire / Schrank



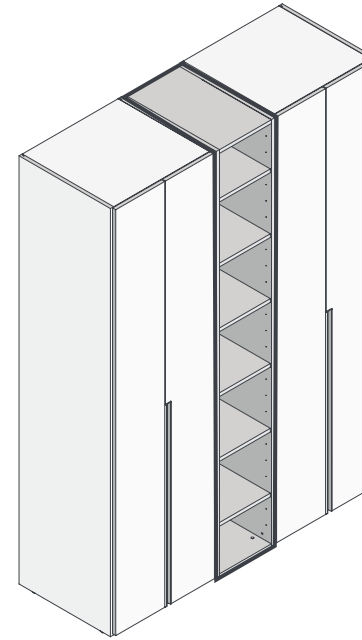
**Ante a Battente**

/ Hinged doors / Porte battante / Drehflügeltür



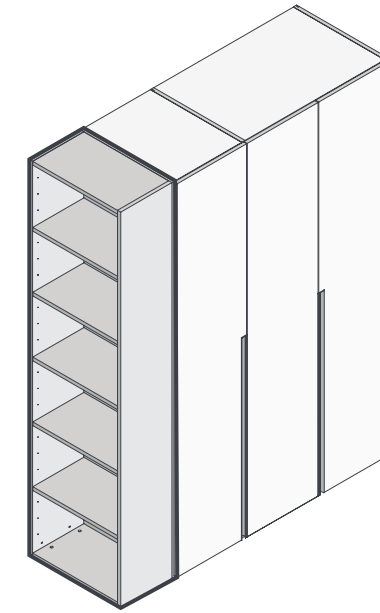
**Ante a soffietto**

/ Folding doors / Porte pliante / Falttür



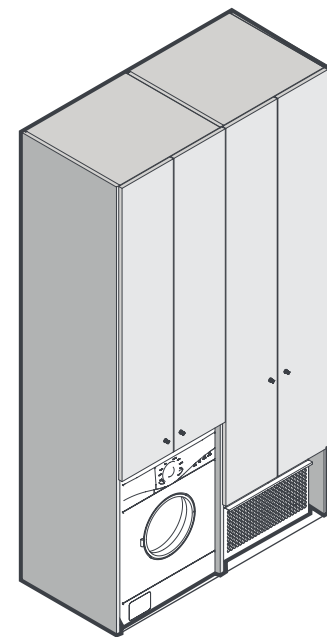
**Modulo a giorno lineare**

/ Open element / Module ouvert / Regal



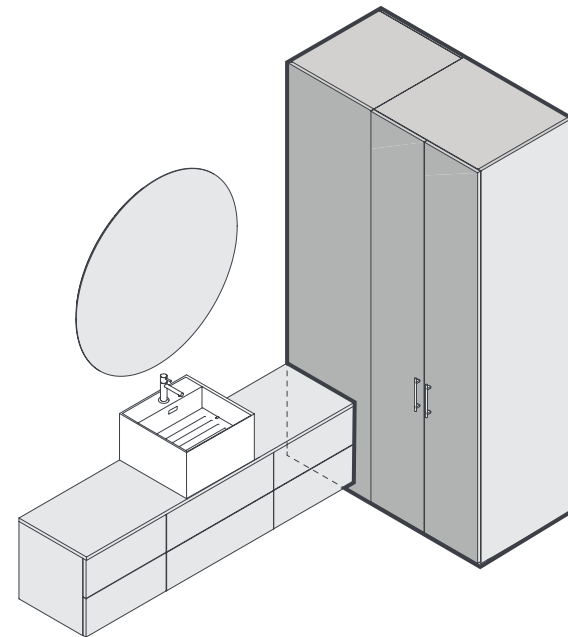
**Modulo a giorno terminale**

/ Open terminal element / Module ouvert final / Endregal



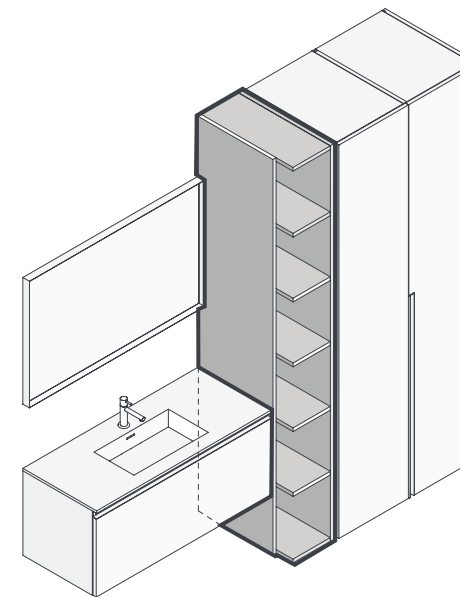
**Elemento Ponte**

/ Wardrobe with open compartment  
/ Armoire avec niche ouverte  
/ Regal mit offenem Fach



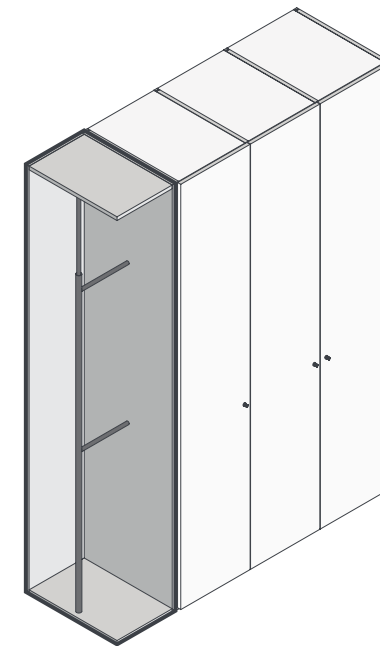
**Elemento angolare**

/ Corner element / Module d'angle / Eckmodul



**Modulo a giorno cambio profondità**

/ Open element for depth change  
/ Module ouvert change profondeur  
/ Regal mit Tiefenänderung

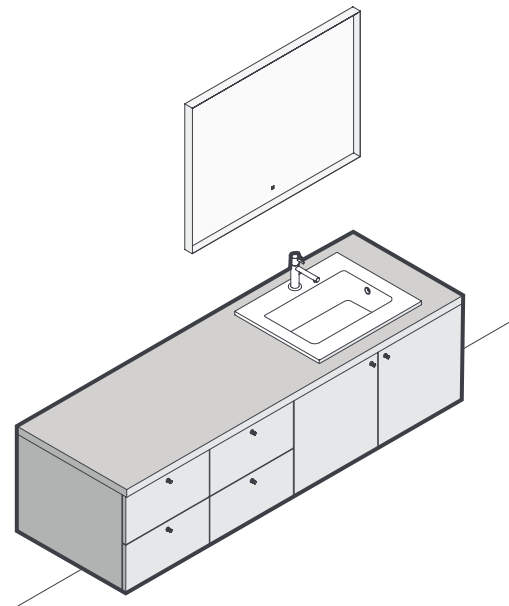


**Terminale appenderia**

/ Open terminal element with coat hanger  
/ Module ouvert final avec penderie  
/ Endregal mit Kleiderstange

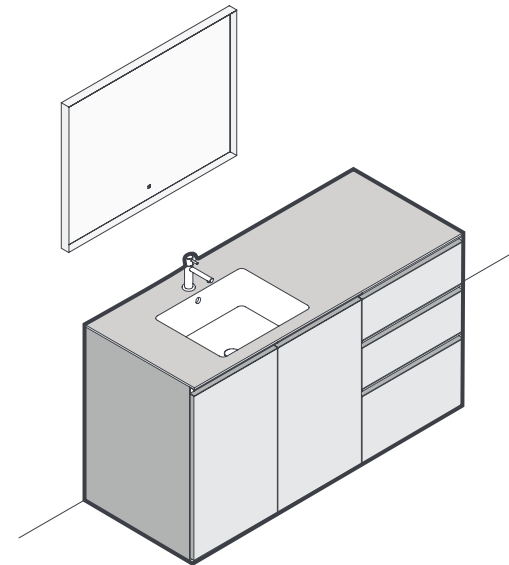
# Basi

/ Standard cabinets / Meubles bas / Unterschranke



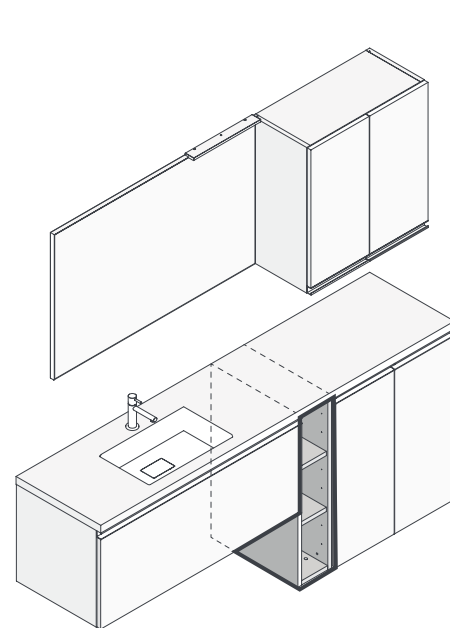
## Basi sospese: cassettoni e battenti

/ Wall hung cabinets with drawers or hinged doors  
/ Meubles bas suspendues: tiroirs et porte battantes  
/ Wandhängende Unterschranke: mit Schubladen oder Türen



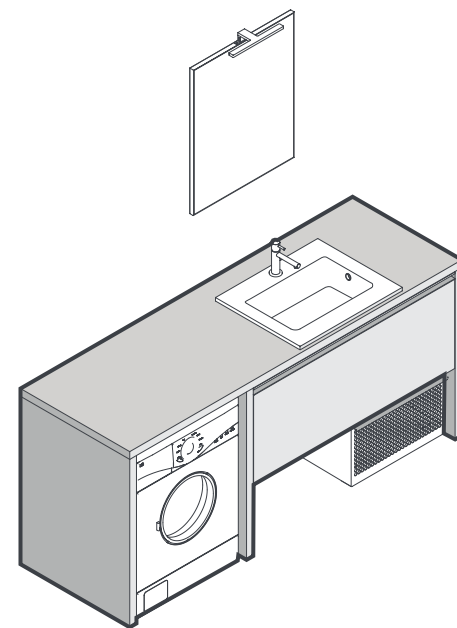
## Basi a terra: cassettoni e battenti

/ Floor standing cabinets with drawers or hinged doors  
/ Meubles bas au sol: tiroirs et porte battantes  
/ Bodenstehende Unterschranke: mit Schubladen oder Türen



## Moduli a giorno

/ Open elements  
/ Modules ouverts  
/ Regale

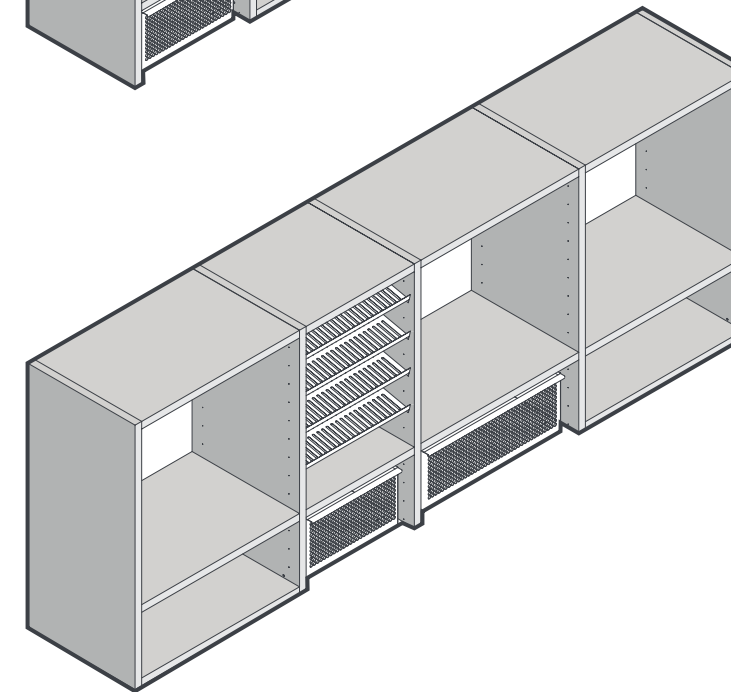
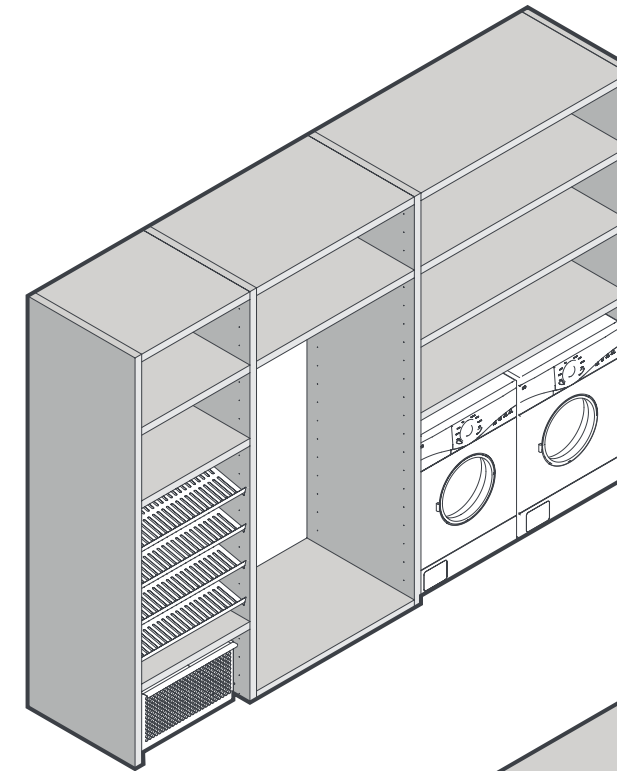


## Mix di basi e spalle

/ Mix of wall hung and floor standing cabinets  
/ Combinaison de meubles bas et modules ouverts  
/ Kombination von Unterschranken und Regalen

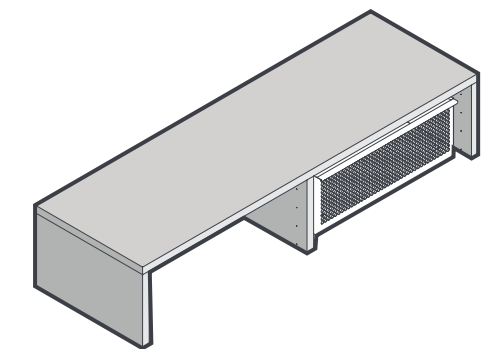
# Elementi a giorno

/ Open elements / Modules ouverts / Regale



## Spalle e ripiani modulari a diverse altezze

/ Sides and modular shelves with different heights  
/ Modules ouverts avec étagères à différentes hauteurs  
/ Regale und Fächern mit verschiedenen Höhen



## Panche

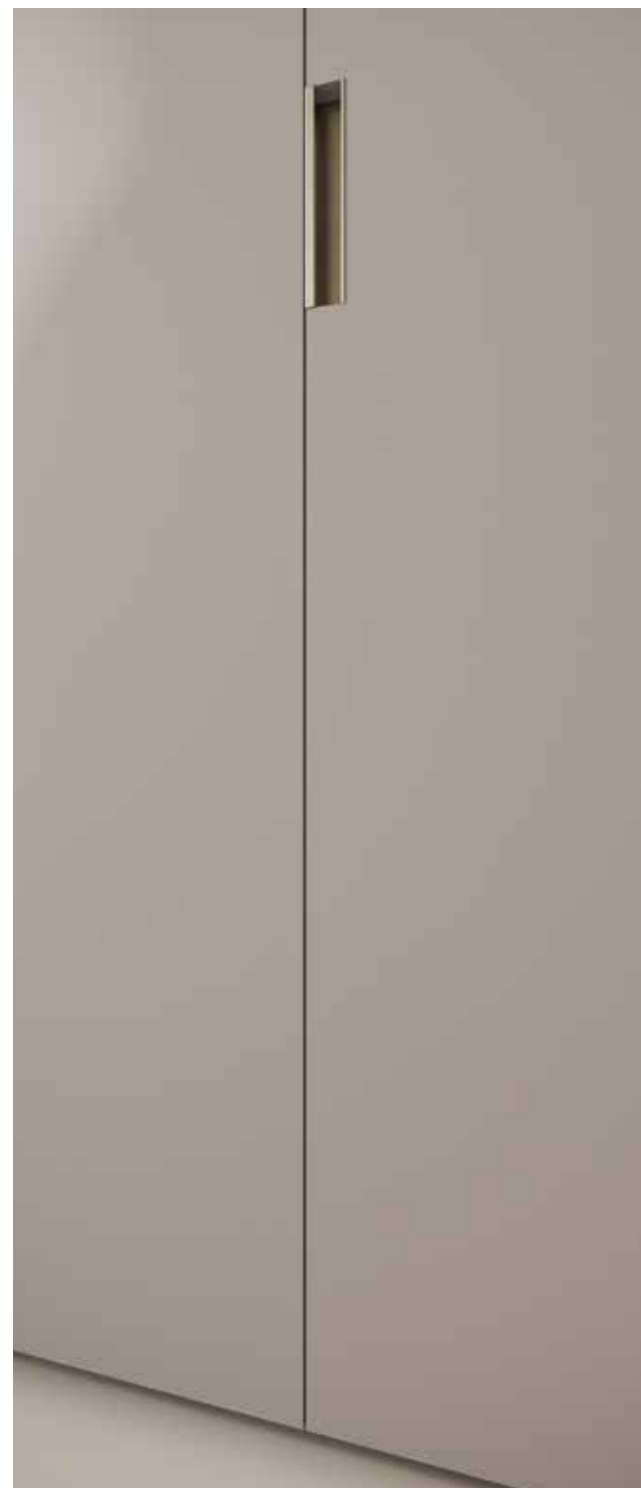
/ Benches  
/ Banquettes  
/ Sitzbänke

# Maniglie

/ Handles / Poignées / Griff



**GOLA VERTICALE**  
Finitura / Finish / Finition / Ausführung  
Cromo  
Nichel



**GOLA SMALL**  
Finitura / Finish / Finition / Ausführung  
Cromo  
Nichel



**GOLA ORIZZONTALE**  
Finitura / Finish / Finition / Ausführung  
Cromo  
Nichel



**STILO**  
Finitura / Finish / Finition / Ausführung  
Nero  
Nichel



**LINE**  
Finitura / Finish / Finition / Ausführung  
Cromo



**TYRE**  
Finitura / Finish / Finition / Ausführung  
Nero  
Acciaio Spazzolato

# Attrezzature

/ Equipments / Aménagement / Innenausstattung



## Tubo appendiabiti

/ Coat rack  
/ Penderie  
/ Kleiderstange

**Finitura / Finish / Finition / Ausführung**  
Bianco  
Piombo



## Cassetto interno in metallo

/ Inner metal drawer  
/ Tiroir en métal  
/ Innenschublade aus Metall

**Finitura / Finish / Finition / Ausführung**  
Bianco  
Nero



## Vassoio portascarpe

/ Shoes rack  
/ Étagère porte-chaussures  
/ Schuhablagen

**Finitura / Finish / Finition / Ausführung**  
Bianco  
Piombo



## Cesto portabiancheria in metallo con ruote

/ Metal laundry basket with wheels  
/ Panier à linge en métal avec roues  
/ Wäschekorb aus Metall mit Rädern

**Finitura / Finish / Finition / Ausführung**  
Bianco  
Piombo



## Telaio estraibile con sacco portabiancheria

/ Extractable laundry basket  
/ Panier à linge extractible avec cadre en métal  
/ Ausziehbarer Wäschekorb mit Metallrahmen

**Finitura / Finish / Finition / Ausführung**  
Bianco  
Piombo



## Asse da stiro estraibile

/ Extractable iron bench  
/ Planche à repasser extractible  
/ Ausziehbares Bügelbrett



## Tubo appendiabiti in metallo

/ Metal coat hanger rack  
/ Penderie en métal  
/ Kleiderstange aus Metall

**Finitura / Finish / Finition / Ausführung**  
Bianco  
Piombo

# Lavatoi

/ Washtubs / Bac à laver / Waschröge



**STORM**  
Lavatoio in ceramica.  
Tavoletta in Ocritech opzionale.  
/ Ceramic washtub  
Optional ocritech washboard  
/ Bac à laver en céramique.  
Planche en Ocritech en option  
/ Waschtrog aus Keramik.  
Waschbrett aus Ocritech, optional

P. 51,3 cm - L. 60,5 cm



**BOLLA**  
Lavatoio in Mineral Tech.  
Con tavoletta in Mineral Tech.  
/ Mineral Tech washtub  
With Mineral Tech washboard  
/ Bac à laver en Mineral Tech.  
Avec planche en Mineral Tech.  
/ Waschtrog aus Mineral Tech.  
Mit Waschbrett aus Mineral Tech.

P. 51,5/66,5 cm - L. 61 cm



**ICE 60/70**  
Lavatoio in ceramica.  
Tavoletta in legno opzionale.  
/ Ceramic washtub  
Optional wooden washboard  
/ Bac à laver en céramique.  
Planche en bois en option.  
/ Waschtrog aus Keramik.  
Waschbrett aus Holz, optional.

P. 51 cm - L. 61/71 cm



**BOOK**  
Lavabo/lavatoio in Solid Surface.  
Con tavoletta in Solid Surface.  
/ Solid Surface washtub  
With Solid Surface washboard  
/ Bac à laver en Solid Surface.  
Avec planche en Solid Surface.  
/ Waschtrog aus Solid Surface.  
Mit Waschbrett aus Solid Surface.

P. 50,5 cm - L. 50 cm - H. 30 cm



**LAKE**  
Lavatoio in ceramica.  
Con tavoletta in legno.  
/ Ceramic washtub  
With wooden washboard  
/ Bac à laver en céramique.  
Avec planche en bois.  
/ Waschtrog aus Keramik.  
Mit Waschbrett aus Holz.

P. 45,4 cm - L. 65 cm - H. 46 cm

# Top integrati

/ Vanity tops / Plans vasque / Waschtische



**ARTIC**  
Top in Solid Surface  
/ Solid Surface vanity top  
/ Plan vasque en Solid Surface  
/ Waschtisch aus Solid Surface

P. 50,4/65,4/70,4 cm - Sp. 1,5 cm Al ml



**MISTRAL**  
Top in Mineral Tech  
/ Mineral Tech vanity top  
/ Plan vasque en Mineral Tech  
/ Waschtisch aus Mineral Tech

P. 50,4 cm - Sp. 1,2/4/10 cm Al ml



**OCEAN**  
Top in Ocritech  
/ Ocritech vanity top  
/ Plan vasque en Ocritech  
/ Waschtisch aus Ocritech

P. 50,4/65,4/70,4 cm - Sp. 1 cm Al ml

# Finiture interne

/ Inner finish / Finition à l'intérieur / Innenausführungen



**Finitura interna armadiature: Tessuto Bianco**  
/ Wardrobes inner finish: Tessuto Bianco  
/ Finition à l'intérieur des armoires: Tessuto Bianco  
/ Innenausführung der Schränken: Tessuto Bianco



**Finitura interna cassetti: Biscotto**  
/ Drawers inner finish: Biscotto  
/ Finition à l'intérieur des tiroirs: Biscotto  
/ Innenausführung der Schubladen: Biscotto

## Certificazioni Passepartout Collection



MADE IN ITALY

**Sicurezza e durata**  
Le scocche sono garantite dal marchio Idropan, uno speciale melaminico idrorepellente, resistente all'acqua e all'umidità, che contraddistingue l'anima nascosta dei mobili di qualità. L'azienda inoltre ha aderito al consorzio del pannello ecologico e utilizza cioè solamente pannelli realizzati con materiale riciclato al 100%. Tutti gli elementi sono studiati per vivere il bagno in tutta sicurezza ogni giorno: cerniere brevettate, agganci e finiture testate contro l'azione dell'umidità, ruote adatte per i contenitori, guide sotto-cassetto a scomparsa, accessori elettrici certificati.

**Safety and lifespan**  
Our furniture structures are guaranteed by the Idropan brand, a special melamine-coated panel, which resists to water and dampness and characterizes furniture of quality. Moreover the company makes part of the consortium of the ecological panel, using only 100% recycled panels. All the elements are meant to facilitate the daily use of the bathroom in safety: patented hinges, hooks and finishes tested to resist to dampness, resistant wheels for cabinets, no visible slide runners under the drawers and certified electrical fittings.

**Sicherheit und Dauer**  
Die Struktur wird von dem Markenzeichen Idropan garantiert, ein wasserabweisendes und Feuchtigkeit widerstehendes Spezialmelamin, das Qualitätsmöbel kennzeichnet. Das Unternehmen hat sich außerdem dem Konsortium des ökologischen Paneels angeschlossen und verwendet daher nur Paneele, die aus 100% aus Recyclingmaterial hergestellt wurden. Alle Elemente sind darauf ausgerichtet, das Bad in kompletter Sicherheit jeden Tag zu benutzen: patentierte Scharniere, Wandbefestigungen und Ausführungen, die auf die Einwirkung von Feuchtigkeit getestet sind, haltbare Räder für Rollwägen, versteckte Laufschienen unter den Schubladen, bescheinigte elektrische Zubehörteile.

**Sécurité et durée**  
Les caissons sont garantis par la marque Idropan, un panneau mélaminé hydrofuge spécial, résistant à l'eau et à l'humidité, qui caractérise les meubles de qualité. La société a aussi adhéré au consortium du panneau écologique et utilise seulement des panneaux fabriqués avec du matériel recyclé au 100%. Tous les éléments sont étudiés pour vivre la salle de bain en toute sûreté tous les jours. Charnières brevetées, accroches et finitions testées contre l'humidité, roues pour chariots résistants, glissières pas visibles pour les tiroirs, accessoires électriques certifiées.

**Seguridad y duración**  
Los costados son garantizados por medio de la marca Idropan, un especial melaminado idrorepelente resistente al agua y a la humedad que va a marcar la alma escondida de todos los muebles de calidad. La empresa además está asociada al consorcio tablero ecológico y utiliza solo tableros efectuados con materiales reciclados por el 100%. Artesi estudio todos los elementos para vivir el ambiente baño cada día con toda seguridad: bisagras patentadas, enganches y acabados frentes que contrastan la acción de la humedad, ruedas de los contenedores, guías bajos cajones ocultas, componentes eléctricos certificados.



Materiale idrofugo di qualità resistente all'acqua ed all'umidità.

Waterproof material resistant to water and dampness.

Wasserabweisendes hochwertiges Material, das Wasser und Feuchtigkeit widersteht.

Matériel hydrofuge de haute qualité, résistant à l'eau et à l'humidité.

Material hidrófugo de calidad resistente al agua y a la humedad.



Pannello ecologico garantito 100% Legno riciclato.

Ecological panel made of 100% Recycled wood.

Ökologisches paneel, 100% aus Recyclingmaterial hergestellt.

Panneau écologique fabriqué en bois recyclé au 100%.

Tablero ecológico garantizado por el 100% de Maderas recicladas.



Marchio europeo di qualità Per i componenti elettrici.

European quality label for electrical components.

Europäisches Qualitätsmarkenzeichen für elektrische Komponenten.

Label de qualité européen pour les composants électriques.

Marca Europea de calidad por los componentes eléctricos.



Artesi ha un proprio Sistema di Gestione della Qualità, certificato dall'ente ICILA, secondo la norma UNI EN ISO 9001:2015. Tale certificazione ha lo scopo di gestire al meglio ogni processo aziendale. Il sistema qualità Artesi, attraverso un'accurata progettazione, selezione e controllo dei fornitori e dei processi produttivi, persegue il principale obiettivo della piena soddisfazione dei propri clienti.

Artesi has an own Quality Management System certificated by ICILA according to the UNI EN ISO 9001:2015 regulation. This certification aims at conducting every company process in the best way. The quality system of Artesi hits the main target of the customer's full satisfaction by a careful planning, selection and control of the suppliers and the production procedures.

Artesi verfügt über ein eigenes, seitens der ICILA bescheinigtes Qualitätssystem gemäß UNI EN ISO 9001:2015-Norm. Dieses Zertifikat ist darauf ausgerichtet, jeden Betriebsvorgang in der bestmöglichen Weise zu führen. Das Qualitätssystem der Firma Artesi verfolgt hauptsächlich das Ziel, die eigenen Kunden mittels einer sorgfältigen Planung, Auswahl und Kontrolle der Lieferanten und der Produktionsverfahren voll zufriedenzustellen.

Artesi dispose d'un propre système de gestion de la qualité certifié ICILA selon la norme UNI EN ISO 9001:2015. Cette certification a le but de gérer au mieux chaque procédé de l'entreprise. Le système de qualité Artesi poursuit l'objectif principal de la pleine satisfaction du client par un projet soigneux, la sélection et le contrôle des fournisseurs et des procédés de production.

Artesi posee un sistema de gestión calidad, certificado por el ente ICILA, según la norma UNI EN ISO 9001:2015. Esa certificación tiene el fin de administrar en el mejor modo posible cada proceso de la empresa. El sistema de calidad Artesi, por medio de un cuidadoso planeamiento, selección y control de los proveedores y de los procesos productivos, persegue como principal objetivo la plena satisfacción de sus clientes.

# ARTESIGROUP

<b>AD</b>	Enrico Cesana
<b>Progetto grafico</b>	CO3 Design Studio
<b>Rendering</b>	Foto d'artificio
<b>Styling</b>	Massimiliano Di Domenico
<b>Fotolito</b>	Luce Group
<b>Stampa</b>	Grafiche Antiga Giugno 2022